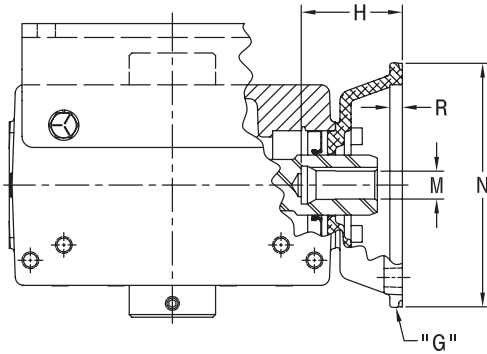
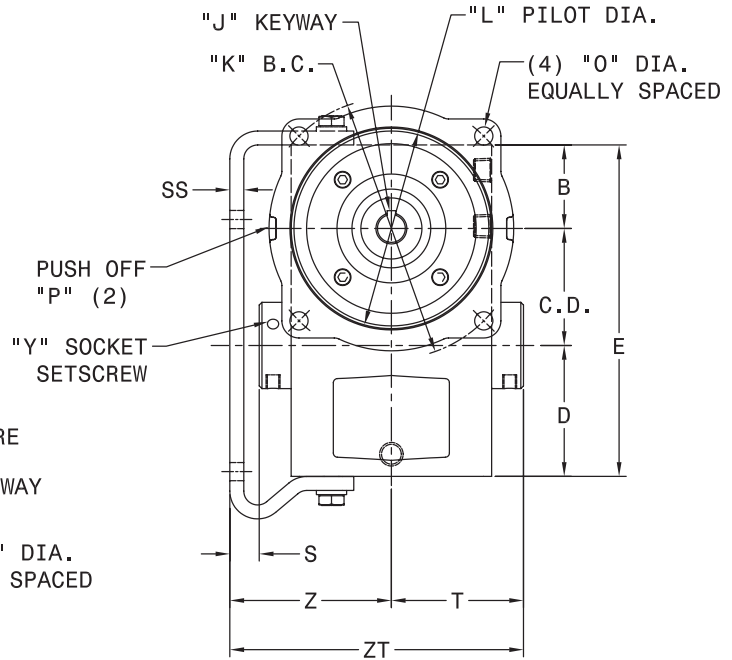
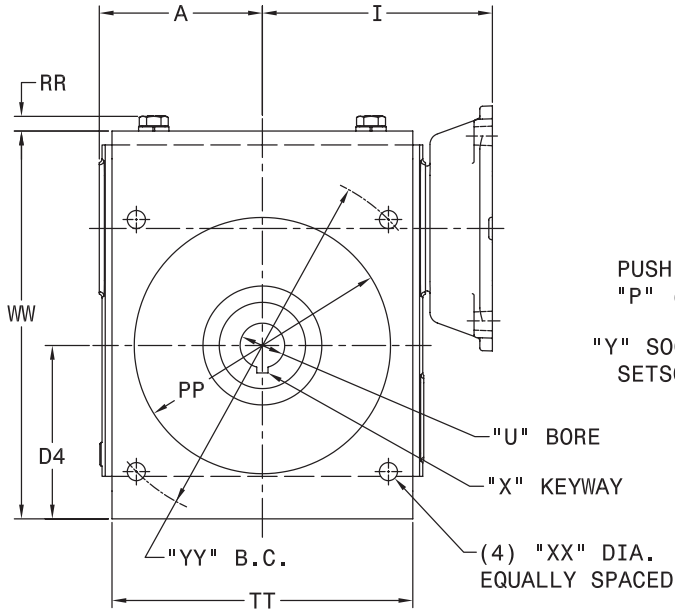




MODELS

186, 216, 246, 266, 326, 386

FOR LUBRICATION AND INSTALLATION INSTRUCTIONS - REFER TO SECTION R

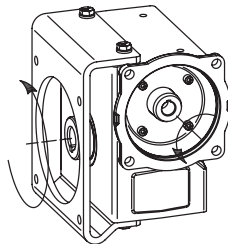


SPECIAL, 48C, METRIC AND SAE HYDRAULIC INPUT FLANGES AVAILABLE. CONSULT FACTORY FOR COMPLETE SPECIFICATIONS.

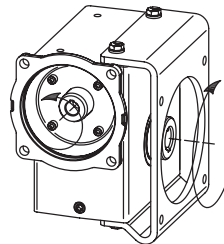
THESE UNITS CAN BE FURNISHED WITH SOLID OUTPUT SHAFT ON SPECIAL ORDERS.

STANDARD STYLES AVAILABLE

DIMENSIONS SHOWN ARE FOR REFERENCE ONLY. DOWNLOAD AVAILABLE CAD MODELS AT: WWW.HUBCITYINC.COM



STYLE "L"



STYLE "R"

CONSULT FACTORY FOR VERTICAL SHAFT LUBRICATION RECOMMENDATIONS
INPUT SHAFT CAN BE ROTATED IN EITHER DIRECTION



MODELS

186, 216, 246, 266, 326, 386

B

SINGLE REDUCTION

MODEL	C.D.	A	B	D	E	G	H	I	J	K	L	M	N	O	P	R
186	1.751	2.65	1.374	1.875	5.000	56C	2.27	4.00	3/16 X 3/32	5.875	4.501/4.503	.625	5.50	13/32	SLOTS	.19
216	2.064	3.00	1.500	2.437	6.000	56C	2.27	4.50	3/16 X 3/32	5.875	4.501/4.503	.625	5.50	13/32	SLOTS	.19
						143TC	2.38					.875				
246	2.376	3.38	2.062	2.500	6.938	56C	2.27	4.88	3/16 X 3/32	5.875	4.501/4.503	.625	5.50	13/32	SLOTS	.19
						143TC	2.38					.875				
						182TC	3.19	5.72	1/4 X 1/8	7.250	8.501/8.504	1.125	9.00	17/32	HOLES	.44
266	2.626	3.66	1.874	2.938	7.438	56C	2.27	5.16	3/16 X 3/32	5.875	4.501/4.503	.625	5.50	13/32	SLOTS	.19
						143TC	2.38					.875				
						182TC	3.19	6.00	1/4 X 1/8	7.250	8.501/8.504	1.125	9.00	17/32	HOLES	.44
326	3.251	4.40	2.124	3.250	8.625	56C	2.27	6.00	3/16 X 3/32	5.875	4.501/4.503	.625	5.50	13/32	SLOTS	.19
						143TC	2.38					.875				
						182TC	3.19	6.38	1/4 X 1/8	7.250	8.501/8.504	1.125	9.00	17/32	HOLES	.44
386	3.751	4.90	2.374	3.937	10.062	56C	2.27	6.50	3/16 X 3/32	5.875	4.501/4.503	.625	5.50	13/32	SLOTS	.19
						143TC	2.38					.875				
						182TC	3.19	6.88	1/4 X 1/8	7.250	8.501/8.504	1.125	9.00	17/32	HOLES	.44

MODEL	D4	S	T	Z	PP	RR	SS	TT	WW	XX	YY	ZT	WT. LBS.
186	3.13	.91	2.41	3.31	4.25	.22	.25	4.88	6.50	11/32	5.875	5.71	19
216	3.75	.85	2.78	3.63	4.75	.33	.31	5.75	7.63	13/32	7.000	6.41	30
246	3.61	.75	2.97	3.72	5.00	.33	.25	6.00	8.30	13/32	7.500	6.69	39
266 (56C-143TC)	3.89	.66	2.97	3.63	5.75	.33	.31	6.75	8.70	13/32	8.000	6.60	44
266 (182TC)	4.07	1.66	2.97	4.63	5.75	.33	.31	6.75	8.88	13/32	8.000	7.60	53
326	4.45	.22	3.78	4.00	6.88	.44	.31	7.50	10.14	13/32	9.000	7.78	78
386	5.09	.72	3.78	4.50	7.50	.44	.31	8.25	11.53	9/16	10.000	8.28	96

STOCK BORES

MODEL	U	X	KEY FURNISHED	Y
186	15/16	1/4 X 1/8	1/4 Sq.	10-24 NC X 1/4 LG
	1 (Max.)	1/4 X 1/8	1/4 Sq.	10-24 NC X 1/4 LG
216	15/16	1/4 X 1/8	1/4 Sq.	5/16 NC X 5/16 LG
	1	1/4 X 1/8	1/4 Sq.	5/16 NC X 5/16 LG
	1-3/16	1/4 X 1/8	1/4 Sq.	5/16 NC X 5/16 LG
	1-1/4 (Max.)	1/4 X 1/8	1/4 Sq.	5/16 NC X 5/16 LG
246 & 266	1	1/4 X 1/8	1/4 Sq.	5/16 NC X 5/16 LG
	1-3/16	1/4 X 1/8	1/4 Sq.	5/16 NC X 5/16 LG
	1-1/4	1/4 X 1/8	1/4 Sq.	5/16 NC X 5/16 LG
	1-7/16 (Max.)	3/8 X 1/8	3/8 X 5/16	1/4 NC X 1/4 LG
326 & 386	1-7/16	3/8 X 3/16	3/8 Sq.	3/8 NC X 5/8 LG
	1-15/16	1/2 X 1/4	1/2 Sq.	3/8 NC X 3/8 LG
	2	1/2 X 1/4	1/2 Sq.	3/8 NC X 3/8 LG
	2-3/16 (Max.)	1/2 X 1/8	1/2 Sq.	3/8 NC X 3/8 LG

BORE TOLERANCE NOMINAL +.002